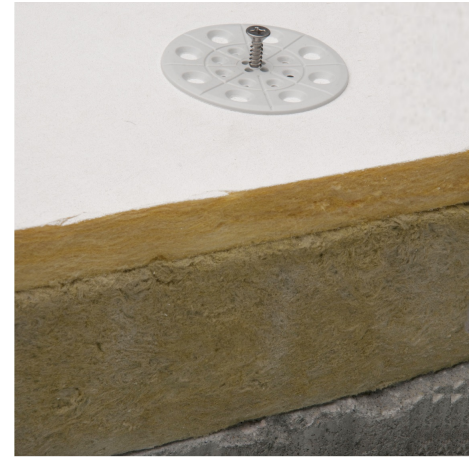
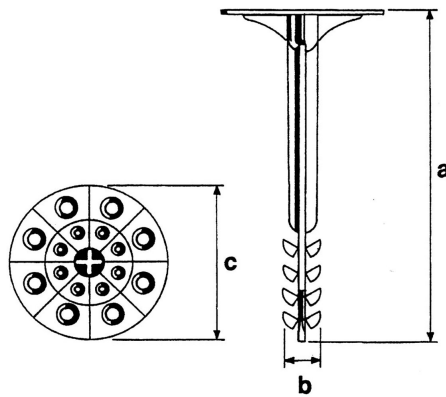
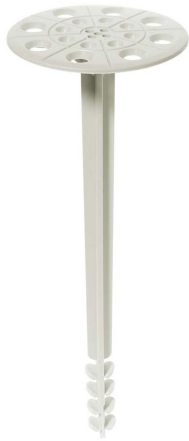


DHI

For the simple mounting of electrical equipment. The DHI is used to fasten clips, junction boxes and light cable trays, on insulated ceilings and walls.



El.no	Type	Colour	Insulation pressure	L cm	Drill Ø mm	Package
1323413	DHI 8	Grey	3-4 cm	8	10	225
1323414	DHI 10	Grey	4-6 cm	10	10	175
1323415	DHI 13	Grey	6-8 cm	13	10	150
1323416	DHI 15	Grey	8-10 cm	15	10	125
1323417	DHI 17	Grey	10-14 cm	17,5	10	75
1342700	DHI 25	Grey	15-20 cm	25	10	75
1342898	DHI 30	Grey	20-25 cm	30	10	75

Technical info:

Material halogen-free, PA 6, UV stabilised, temperature range: -20 - +85°C.